

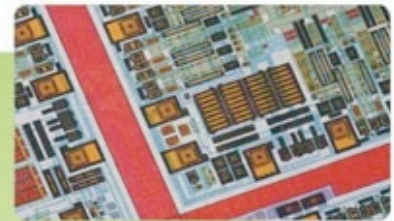
NSZ-606 NSZ-606 Zoom Stereo Microscope

With high quality optical components, providing sharp and striking contrast image and ensure flat image at big depth of field

With ergonomic design, ease the tiredness caused by the long time observation

With LED illumination for both incident and transmitted light, providing even illumination and life expectancy can reach 6000 hours

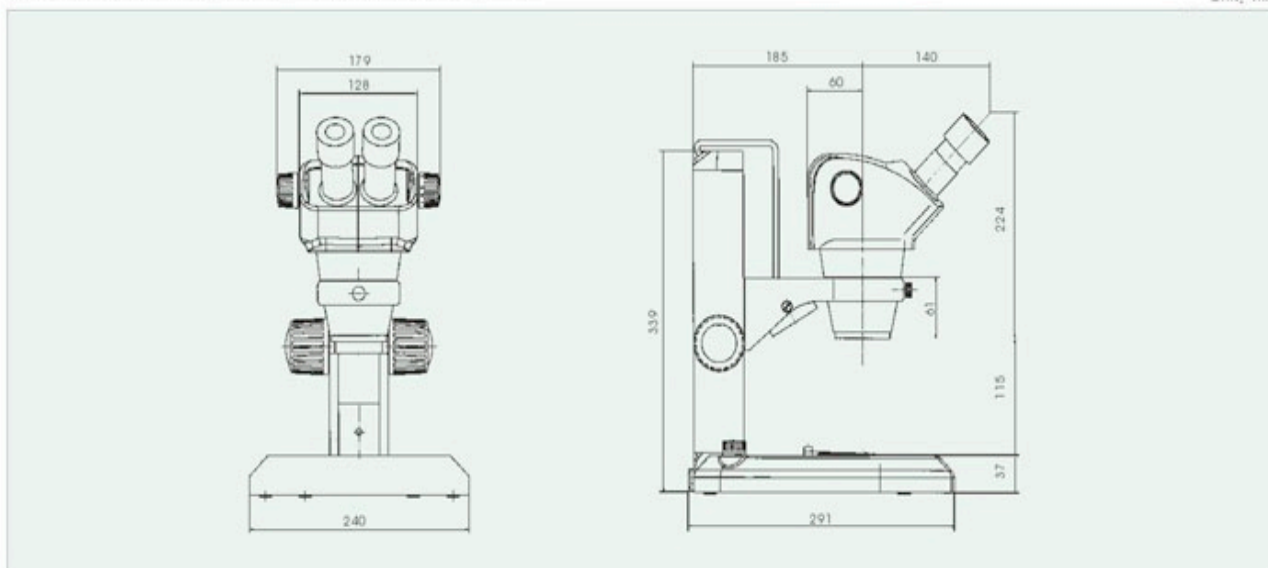
With Complete eyepieces, auxiliary objectives and accessories, it is an ideal instrument for industry assembling, inspection and teaching field.



NSZ-606

NSZ-606 System Dimension Drawing

Unit: mm



Outfit:

Body	Binocular viewing microscope body	●
	Trinocular viewing microscope body	○
Eyepiece	EW10X/22	●
	Extra wide field eyepiece EW10X/22 with diopter adjustment	●
	WF15X	○
	WF20X	○
Zoom	0.8X-5X	●
Zoom ratio	6.3: 1	●
Working distance	115mm	●
Inclined	45°	●
Interpupillary distance	52-75mm	●
Auxiliary objective	0.5X	○
	2X	○
Glass insert	100mm 100mm Glass insert	●
Illumination	Incident light 100V-240V/LED	○
	Transmitted light 100V-240V/LED	○
Photo attachment		○
Video attachment		○

Note: ● Standard Outfit, ○ Option